



POWER KEY Series P220-455BX

New External Adjustment!

SYSTEM

Powerful 220-watt compact fluorescent unit with adjustable beam spread in each of (4) cells. External slide knobs at the back of the fixture allow a free range of adjustment from 60° to a 90° beam spread. Provides a concentrated, even coverage for studio or location lighting applications without added accessories. Additional control achieved with zone screen accessory option. All 230 volt fixtures are RoHS compliant.

UL/CUL/CE Damp Location Listed.

U.S. Patent #6,945,671

SPECIFICATION

Housing: Constructed of .063 formed aluminum then coated with black textured TGIC polyester coat finish.

Reflector: Formed .020 high purity aluminum (99.9%) reflector material with 95% reflectance finish.

Socket: Molded white high strength thermoplastic with push wire connections and 18-gauge leads. Model number 2G11 4-pin. Mounted to adjustable bracket to alter beam spread.

Electrical: Unit contains (2) 2-lamp ballasts to drive four 55-watt lamps for a total of 220 lamp watts per fixture. Power factor shall be >.97 with a class A sound rating and THD of <20%. Power entry on unit includes on/off switch, fuse holder with fuse (for protection against power surges), spare fuse and IEC connector.

Mounting: Provided with .125 welded aluminum yoke. Unit may rotate vertically through the yoke and horizontally through a pipe clamp for ease of focus, and may be locked into place.

Fixture Includes:

- (4) 55-watt Biax Lamps
- (2) 2-lamp Ballast (Specify Voltage)
- 16' power cord with NEMA5-15 (3) prong plug
- (1) C-Clamp or 5/8" Stand Adapter (Specify One)

LAMPS (Included)

55-watt FT55W/2G11/830

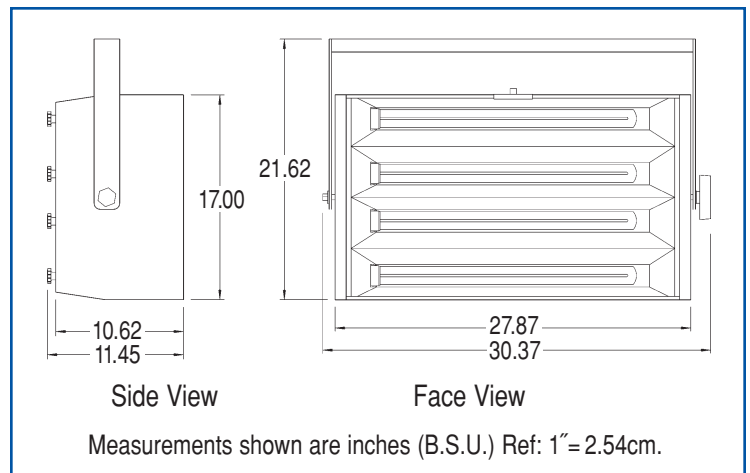
3000K, 12,000 Hours Lamp Life

CRI: 82

Light output: 4800 LM/Lamp

OPTIONS (Must Specify Each)

Ballast	120 VAC/60Hz HPF Electronic
	230 VAC/50-60Hz HPF Electronic
Mounting	2" O.D.C-Clamp
	5/8" Stand Adapter
Lamps	3000K (Included as Standard)
	3200K (Additional charge)
	5500K (Additional charge)



MODEL

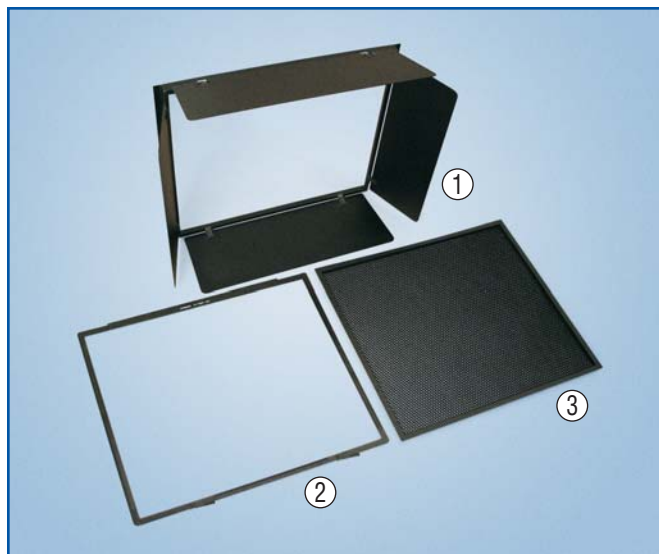
P220-455BX	Non Dim
P220-455BX-DA	On Board Dim
P220-455BX-DMX	DMX control within fixture.
P220-455BX-D/PM*	Phase Control

* Not available in 230 Volt

WEIGHT			DIMENSIONS		
	Lbs	Kg		Inches	Cm
Complete	23.0	10.5	Length	30.37	77.1
DMX	0.5	0.2	Height	21.62	54.9
			Width	11.45	29.1

ACCESSORIES

(See detailed description and function in Accessories Section)



PART #

- ① BD-P220 Barn Door
- ② GF-P220 Gel Door
- ③ ZS-P220-W Zone Control Screen Wide

EXTERNAL LAMP ADJUSTMENT



*New Easy
Slide Knob to
Adjust & Lock
the Light Beam.*

PHOTOMETRICS

4-06 MODEL P220-455BX		DISTANCE				
		3ft/.91m	6ft/1.83m	9ft/2.74m	12ft/3.66m	15ft/4.57m
NO ACCESSORIES	FC	1024	256	120	80	48
	Lux	11023	2756	1292	861	517

Light level readings were measured in foot-candles (fc) and converted to Lux using the conversion factor of 1 fc = 10.765 Lux. Values shown are light levels on centerline. Reference: Meter used—Minolta T-1 Illuminance meter. Lamps: 3000 Kelvin. Ambient temperature in test studio 75F ±3F. Distance measurements converted to meters using 1ft = .305m. Original photometric data on file at the factory. Specifications subject to change without notice or obligation.